

HENDRICKSON LIFT AXLE ORDERING GUIDE: COMPOSILITE® EXF TRAILER: 13K (NON-STEERABLE)

This ORDERING GUIDE is intended to assist you in the selection of Hendrickson COMPOSILITE® EXF Lift Axles for TRAILER (13K). For comprehensive information on other available Hendrickson models, options and pricing, contact HENDRICKSON CUSTOMER SERVICE at 800.660.2829 (US and Canada) or liftaxle@hendrickson-intl.com. Your Hendrickson Customer Service Representative can help you complete this form.

Company:	<input type="text"/>	Name:	<input type="text"/>	Telephone:	<input type="text"/>
Email:	<input type="text"/>	Fax:	<input type="text"/>	Location:	<input type="text"/>

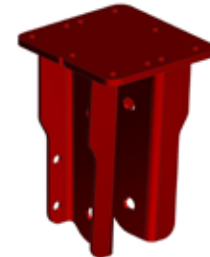
WARNING! FAILURE TO PROVIDE ALL OF THE INFORMATION REQUESTED IN THIS FORM WILL PREVENT HENDRICKSON FROM PROVIDING YOU WITH A SUSPENSION MODEL CONFIGURATION AND PRICE QUOTE. EACH STEP IN THIS FORM REQUIRES YOUR INPUT!

STEP 1: PLEASE SELECT THE REQUIRED MOUNTING TYPE:

Weld-on



Bolt-on (See Bolt-Hole Pattern B in Step 4)



STEP 2: PLEASE SELECT THE REQUIRED BRAKE TYPE:

Drum Brakes

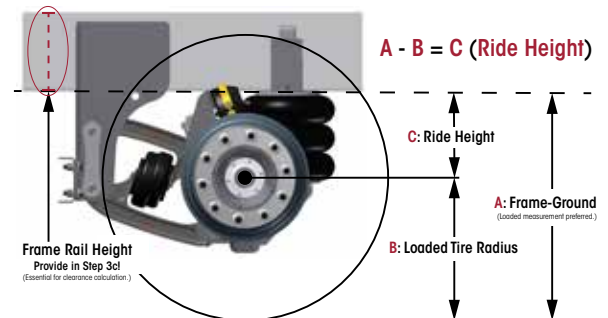
Hendrickson MAXX22T® Air Disc Brakes*

Bendix ADB22x Air Disc Brakes*

STEP 3a: ESSENTIAL RIDE HEIGHT INFORMATION:

Steps 3b that follows this step is **CRITICAL** for determining proper ride height and to select the right suspension for your vehicle and your operating conditions.

Please refer to the graphic to the right and answer **ALL** of the questions in Step 3b:



STEP 3b: TO CALCULATE RIDE HEIGHT, PLEASE PROVIDE US WITH ALL OF THE FOLLOWING INFORMATION:

Vehicle's Primary Suspension Type: Air Ride Chalmers Rubber Block Mechanical Spring

Provide one; "loaded" is preferred. (bottom of rail to ground at axle location):

Loaded:

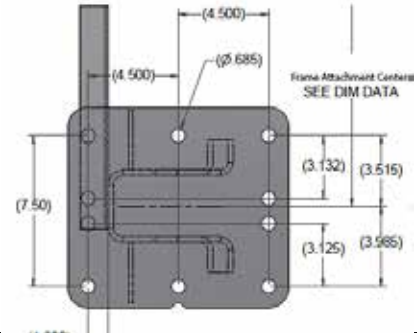
Unloaded:

Preferred Tire Size (example: 255/70R 22.5):

WARNING: FAILURE TO PROVIDE ALL OF THE INFORMATION REQUESTED ABOVE WILL PREVENT HENDRICKSON FROM PROVIDING YOU WITH A SUSPENSION MODEL CONFIGURATION AND PRICE QUOTE. ALL FIELDS IN STEP 4B ARE REQUIRED!

STEP 4: PLEASE SELECT THE REQUIRED FRAME ATTACHMENT CENTERS:

<input type="checkbox"/>	32" Frame Attachment Centers
<input type="checkbox"/>	34" Frame Attachment Centers
<input type="checkbox"/>	35" Frame Attachment Centers
<input type="checkbox"/>	38" Frame Attachment Centers
<input type="checkbox"/>	40" Frame Attachment Centers
<input type="checkbox"/>	41" Frame Attachment Centers
<input type="checkbox"/>	42" Frame Attachment Centers



STEP 5: PLEASE SELECT WHEEL-END (HUB & DRUM) OPTIONS:

Do you require WHEEL-ENDS?	<input type="checkbox"/> YES	<input type="checkbox"/> NO	If "No", Select Spindle Type Below and Then Go to Step 7.
Do you require ABS READY?*	<input type="checkbox"/> YES	<input type="checkbox"/> NO	*ABS sensor NOT included. ABS Sensor Kit part #: R-008245-1
Hub material (select one):	<input type="checkbox"/> DUCTILE IRON	<input type="checkbox"/> AUSTEMPERED DUCTILE IRON	<input type="checkbox"/> ALUMINUM**

NOTES: *ABS Sensor Kit part number is R-008245-1. Please order separately.

STEP 6: CHOOSE HUB OPTIONS (SELECT ONLY ONE OPTION FOR THE DESIRED SPINDLE TYPE):

HXL & TIREMAAX® (Spindles N or P)*:	<input checked="" type="checkbox"/> Standard (Spindles FF, N or P):
Choose <u>ONE</u> Spindle Type below:	Choose <u>ONE</u> Spindle type below:
<input type="checkbox"/> Spindle N <input type="checkbox"/> Spindle P	<input type="checkbox"/> Spindle FF
Now choose <u>ONE</u> option below:	<input type="checkbox"/> Spindle N
<input type="checkbox"/> HXL3® (80w/90 Oil)	<input type="checkbox"/> Spindle P
<input type="checkbox"/> HXL3® (75w/90 Synthetic Oil)	
<input type="checkbox"/> HXL5® (Semi-Fluid Grease**)	Now choose <u>ONE</u> option below:
*TIREMAAX® PRO <input type="checkbox"/> or CP <input type="checkbox"/> with HXL3® (80w/90 Oil)	<input type="checkbox"/> Oil 80w/90
*TIREMAAX® PRO <input type="checkbox"/> or CP <input type="checkbox"/> with HXL3® (75w/90 Synthetic Oil)	<input type="checkbox"/> Oil 75w/90 (Synthetic)
*TIREMAAX® PRO <input type="checkbox"/> or CP <input type="checkbox"/> with HXL5® (Semi-Fluid Grease**)	<input type="checkbox"/> Semi-Fluid Grease**

NOTES: *TIREMAAX® includes: hubcap, axle hose, breather, and associated hardware. Please order the controller separately if required.

STEP 7: PLEASE SELECT AN OPTION FOR DUST SHIELDS*:

<input type="checkbox"/> Dust Shields Installed	<input type="checkbox"/> No Dust Shields
---	--

Notes: *Dust Shields are only available for Drum Brakes.

STEP 8: PLEASE SELECT AN OPTION FOR BRAKE CHAMBERS:

<input type="checkbox"/> TYPE 20, 2.25" Stroke Brake Chambers (Recommended)	<input type="checkbox"/> TYPE 14 Brake Chambers For ADB (Recommended)
<input type="checkbox"/> TYPE 20L, 2.50" Stroke Brake Chambers	<input type="checkbox"/> TYPE 20-24, 2.50" Stroke Brake Chambers
<input type="checkbox"/> TYPE 16, 2.25" Stroke Brake Chambers	
<input type="checkbox"/> No Brake Chambers	

STEP 9: PLEASE SELECT YOUR DRUM FACE-TO-DRUM FACE MEASUREMENT:

	N Spindle: DRUM BRAKE (dished-in 13.5k rating)	AIR DISC BRAKE* (ADB)	
	<input type="checkbox"/> 80.9 (96" Body) actual maximum axle width: 86.6"	* ADB NOT AVAILABLE WITH N SPINDLE	
	<input type="checkbox"/> 86.5 (96" Body) actual maximum axle width: 92.2"		
	<input type="checkbox"/> 89.3 (96" Body) actual maximum axle width: 95.0"		
Recommended	<input type="checkbox"/> 92.7 (102" Body) actual maximum axle width: 98.4"		
Recommended	<input type="checkbox"/> 93.5 (102" Body) actual maximum axle width: 99.2"		
	<input type="checkbox"/> 94.2 (102" Body) actual maximum axle width: 99.9"		
	<input type="checkbox"/> 95.3 (102" Body) actual maximum axle width: 101.0"		
	<input type="checkbox"/> 96.1 (102" Body) actual maximum axle width: 101.8"		
	FF Spindle: DRUM BRAKE (dished-in 13.5k rating)		FF Spindle: AIR DISC BRAKE (dished-in 13.5k rating)
	<input type="checkbox"/> 82.1 (96" Body) actual maximum axle width: 87.3"		<input type="checkbox"/> 82.9 (96" Body) actual maximum axle width: 88.1"
	<input type="checkbox"/> 87.7 (96" Body) actual maximum axle width: 92.9"	<input type="checkbox"/> 88.5 (96" Body) actual maximum axle width: 93.7"	
Recommended	<input type="checkbox"/> 90.5 (96" Body) actual maximum axle width: 95.7"	<input type="checkbox"/> 91.3 (96" Body) actual maximum axle width: 96.5"	
Recommended	<input type="checkbox"/> 93.9 (102" Body) actual maximum axle width: 99.1"	<input type="checkbox"/> 94.6 (102" Body) actual maximum axle width: 99.8"	
	<input type="checkbox"/> 94.7 (102" Body) actual maximum axle width: 99.9"	<input type="checkbox"/> 95.5 (102" Body) actual maximum axle width: 100.7"	
	<input type="checkbox"/> 95.4 (102" Body) actual maximum axle width: 100.6"	<input type="checkbox"/> 96.1 (102" Body) actual maximum axle width: 101.3"	
	<input type="checkbox"/> 96.5 (102" Body) actual maximum axle width: 101.7"	<input type="checkbox"/> 97.3 (102" Body) actual maximum axle width: 102.4"	
	<input type="checkbox"/> 97.3 (102" Body) actual maximum axle width: 102.5"	<input type="checkbox"/> 98.0 (102" Body) actual maximum axle width: 103.2"	
P Spindle (Only Available with 16.5" Ride Height or Higher)			
	P Spindle: DRUM BRAKE (dished-out 13.2k rating)	P Spindle: AIR DISC BRAKE (dished-out, see note*)	
	<input type="checkbox"/> 72.0 (96" Body)	<input type="checkbox"/> 72.1 (96" Body)	
	<input type="checkbox"/> 78.0 (102" Body)	<input type="checkbox"/> 78.1 (102" Body)	
Notes:	*For P Spindle ADB, Hendrickson MAXX22T rating is 12.2k; BENDIX rating is 11k, per hub manufacturer.		

STEP 10: PLEASE SELECT AN OPTION FOR SURFACE TREATMENT:

Select One Option	Hanger & Crossmember	Axle Body
<input type="checkbox"/>	Primer	Primer
<input type="checkbox"/>	Soft Coat	Soft Coat
<input type="checkbox"/>	Galvanized	Primer
<input type="checkbox"/>	Galvanized	Soft Coat
Notes:	*SOFT COAT and GALVANIZED are <u>NOT</u> available for Weld-On applications.	

STEP 11: PLEASE SELECT OPTIONS FOR AIR CONTROL KIT SPECIFICATIONS (SOLD SEPARATELY):

SELECT CONTROL MOUNTING STYLE (CHOOSE ONE OPTION):

- | | | | |
|-------------------------------------|---|---|---|
| <input type="checkbox"/> Inside cab | <input type="checkbox"/> Outside on Frame | <input type="checkbox"/> Maryland Spec. | <input type="checkbox"/> No Control Requested |
|-------------------------------------|---|---|---|

IF OUTSIDE ON FRAME (CHOOSE ONE OPTION):

- | | | |
|------------------------------------|--|--|
| <input type="checkbox"/> Steel Box | <input type="checkbox"/> Composite Box | |
|------------------------------------|--|--|

IF LOCK-STRAIGHT OPTION SELECTED (CHOOSE ONE OPTION):

- | | | |
|---|---|--|
| <input type="checkbox"/> Lift & Lock Straight Reverse | <input type="checkbox"/> Down & Lock in Reverse | |
|---|---|--|

NOTES:

If you have an application or requirement not covered by Ordering Guide H814, please explain below; a Hendrickson Technical Support representative will contact you shortly.



The World Rides On Us®

Important Information for Hendrickson Customers:

Wheel-End & Hub Options: Any lift axle and suspension system's weight rating is limited by the lowest rating of any constituent component installed into or onto that system. The tire and rim specifications, orientation and load location can also affect the rating of the hubs and hence the axle and suspension system rating as a whole. It is the installer's responsibility to ensure that the axle and suspension system rating (which may be reduced, as indicated above) is not exceeded. Failure to do this can result in damage to the axle and suspension system. A particular concern is the possible "de-rating" of suspension capacity when using offset (dished-out or dished-in) wheels, a situation that can put an excessive load on the bearings and spindle, which can lead to reduced service life and mechanical failures. When utilizing hubs, wheels or bearings not supplied by or recommended by Hendrickson or when replacing Hendrickson-supplied hubs and/or bearings with components not supplied by Hendrickson, it is the buyer's responsibility to consult with the suppliers of those components and all associated supplier literature to assure that the rated capacity of the axle and suspension system or its sub-assemblies will not be exceeded.

Hendrickson Customer Service: If you have questions about this Ordering Guide or the **EXF Non-Steerable Lift Axle** for TRAILER APPLICATIONS, please contact Hendrickson Technical Services by phone 800.660.2829 or e-mail: liftaxletech@hendrickson-intl.com.

Hendrickson Genuine Parts: For long service life and optimal performance, use only **Hendrickson Genuine Parts** when servicing your lift-axle suspension system.

Actual product performance may vary depending upon vehicle configuration, operation, service and other factors.
All applications must comply with applicable Hendrickson specifications and must be approved by the respective vehicle manufacturer with the vehicle in its original, as-built configuration.
Contact Hendrickson for additional details regarding specifications, applications, capacities, and operation, service and maintenance instructions.

Call Hendrickson at 800.660.2829 or 800.668.5360 in Canada for additional information.



www.hendrickson-intl.com

H814 REV J 03-24

© 2019 – 2024 Hendrickson USA, L.L.C. All Rights Reserved. All trademarks shown are owned by Hendrickson USA, L.L.C., or one of its affiliates, in one or more countries.
Information contained in this literature was accurate at the time of publication. Product changes may have been made after the copyright date that are not reflected.

**SPECIALTY PRODUCTS -
AUXILIARY AXLE Systems**
277 North High Street
Hebron, OH 43025 USA
800.660.2829
740.929.5600 • Fax 740.929.5601

Hendrickson Canada ULC
2825 Argenta Road, Unit #2 - 4
Mississauga, ON Canada L5N 8G6
800.668.5360
905.789.1030 • Fax 905.802.9423

Printed in United States of America