

H PARTS LIST

HAULMAAX® EX 40K • 46K • 52K Rear Rubber Suspension

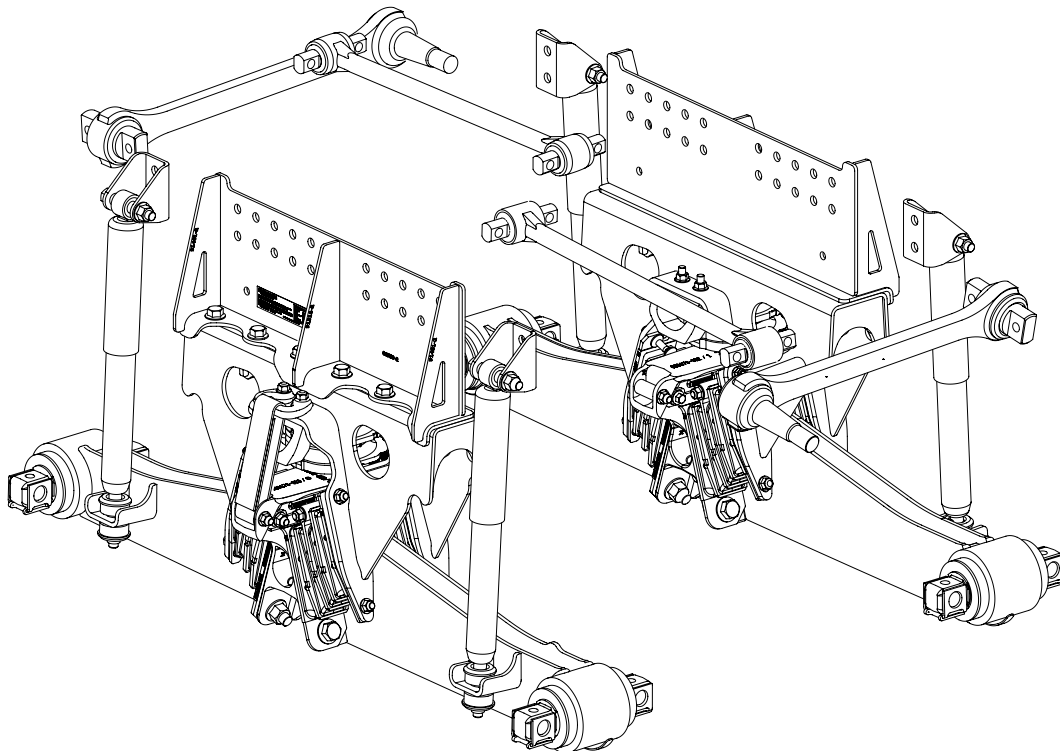
LIT NO: SP-328

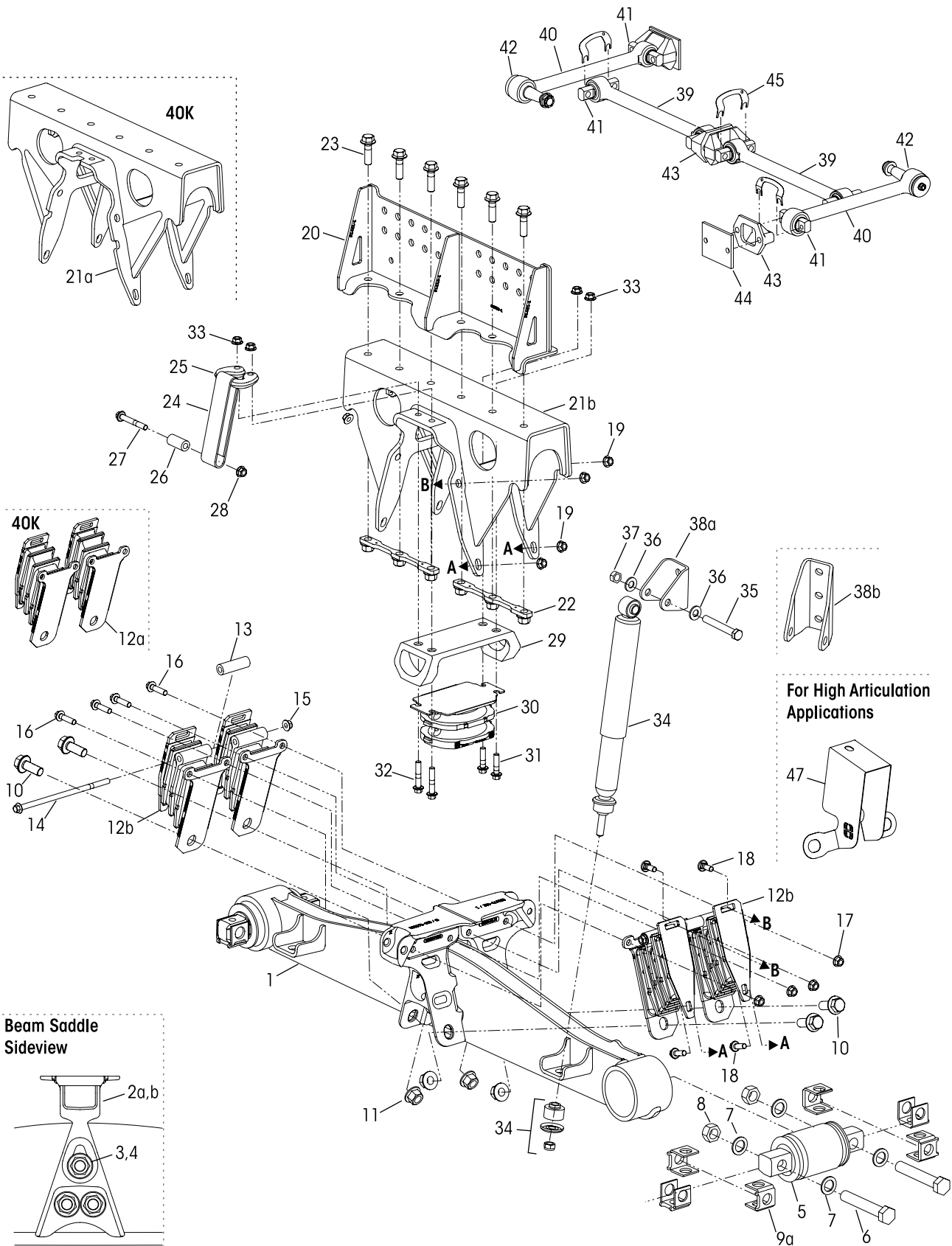
DATE: February 2023

REVISION: H

CONTENTS

DESCRIPTION	PAGE	DESCRIPTION	PAGE
Parts List	2	Aftermarket Service Kits	
Selection Guides		■ Shock Absorber Service Kit	5
■ Frame Hangers	4	■ Shield Plate Service Kit	6
■ Equalizing Beam with Rotatable Bar Pin Bushings	5	■ Dual Rebound Strap Enhancement Kit	7
Notes	7	■ Weight Bias Progressive Load Spring Kit	7
Special Tools	8		







KEY NO.	PART NO.	DESCRIPTION	VEHICLE QTY.
1		Equalizing Beam Assembly with Beam Saddle, 2 Includes Key No. 5, <i>See Aftermarket Equalizing Beam with Rotatable Bar Pin Selection Guide on Page 5</i>	2
	34013-417	Single Equalizing Beam Saddle Service Kit , Includes Key Nos. 2a, 2b, 3-4	
2		*Inboard & Outboard Equalizing Beam Saddle 2	2
a		Inboard	
b		Outboard	
3		*M20 x 1.5 x 110 mm Heavy Hex Flange Screw 6	6
4		*M20 x 1.5 Flange Nut 6	6
		Bar Pin End Bushing Service Kit, One Wheel End , Includes Key Nos. 5-9a	
	34013-088L	Shim Type	
	34013-188L	Rotating, Shim Type	
5		*Bar Pin End Bushing 4	4
	34013-104	Bar Pin End Bushing Fastener Kit, One Wheel End , Includes Key Nos. 6-8	
6		*1"-8 UNC x 6" Hex Bolt 8	8
7		*1" Hardened Washer 16	16
8		*1"-8 UNC Locknut 8	8
9		Bar Pin Shim 8	8
a	50131-000	0.25"/0.12" Standard	
b	50130-000	0.19"/0.19" Optional	
c	57026-000	0.375" Optional flat shim	
		Bolster Spring Service Kits	
	34013-356	Two Bolster Set, Includes Key Nos. 10-11, 12a, 16-19	
	34013-357	Tie Bar Bolsters Set, Includes Key Nos. 10-11, 12b, 13-19	
10	67749-050	M20 x 1.5-6G x 50 mm Flange Bolt 8	8
11	67745-000	M20 x 1.5 Flange Nut 8	8
12		*Bolster Springs 8	8
a		40K	
b		46K • 52K Tie-Bar	
13		*Tie-Bar Bolster Spring Spacer 4	4
14		*M12 x 1.75-6G x 270 mm Flange Bolt 4	4
15		*M12 x 1.75 Flange Nut 4	4
16	68973-050	M12 x 1.75-6G x 50 mm Flange Bolt 8	8
17	68974-000	M12 x 1.75 Flange Nut 8	8
18	78875-035	M12 x 1.75-6G x 35 mm Round Head Square Neck Bolt 16	16
19	68974-000	M12 x 1.75 Flange Nut 16	16
20		Frame Hanger, <i>See Selection Guide on Page 4 and for Saddle Height see Figure 1 on Page 6</i> 2	2
		Frame Saddle Service Kits, One Side	
	34013-359	40K Includes Key Nos. 18, 19, 21a, 22-23, 31-33	
	34013-360	46K•52K , Includes Key Nos. 18, 19, 21b, 22-23, 31-33	
	34013-361	52K , Includes Key Nos. 18, 19, 21b, 22-23, 32-33	
21		*Frame Saddle 2	2
a		40K	
b		46K•52K	
	34013-362	Frame Saddle to Hanger Fastener Service Kit, One Side , Includes Key Nos. 22-23	
22		*Saddle Fastener Plate 4	4
23		*M16 x 1.5 -6G x 50 mm Flange Bolt 12	12
		**Rebound Strap Service Kits, See Page 6 & 7	
	34013-354	One Side, 40K•46K Vehicles Originally equipped with One Strap	
	34013-355	One Side, 52K Vehicles Originally equipped with Dual Straps	
	34013-363	Aftermarket Dual Strap Enhancement	

KEY NO.	PART NO.	DESCRIPTION	VEHICLE QTY.
24		*Rebound Strap	
25		*Rebound Bracket	
26		*Rebound Spacer	
27		*M12 x 1.75-6G x 90 mm Flange Bolt	
28		*M12 x 1.75 Flange Nut 2	2
		Single Progressive Load Spring Service Kit	
	34013-358	Originally equipped with One Strap, Includes Key Nos. 29-33	
	34013-364	Originally equipped with Dual Straps, Includes Key Nos. 29, 30, 32-33	
29		*Jounce Stop 2	2
30		*Progressive Load Spring 2	2
31		*M12 x 1.75-6G x 50 mm Flange Bolt	
32		*M12 x 1.75-6G x 65 mm Flange Bolt	
33		*M12 x 1.75 Flange Nut	
		Single Shock Absorber Service Kit , (if equipped)	
	64178-005	14 ⁷ / ₈ "•15 ¹ / ₂ "•16"•16 ¹ / ₂ " Saddle Height, Includes Key Nos. 34a-37	
	64178-006	17 ¹ / ₄ "•17 ¹ / ₂ " Saddle Height, Includes Key Nos. 34b-37	
	64178-035	18 ¹ / ₄ "•18 ¹ / ₂ " Saddle Height, Includes Key Nos. 34c-37	
	64178-036	20 ¹ / ₄ "•20 ¹ / ₂ "•21 ¹ / ₂ "•22 ¹ / ₂ " Saddle Height, Includes Key Nos. 34d-37	
		Aftermarket Shock Absorber Kit , for vehicles built with equalizing beams without shock absorber mounts, <i>see Page 5</i>	
34		****Shock Absorber (if equipped) 4	4
		<i>For Saddle Height see Figure 1 on Page 6</i>	
a	60680-004L	14 ⁷ / ₈ "•15 ¹ / ₂ "•16"•16 ¹ / ₂ " Saddle Height	
b	60680-005L	17 ¹ / ₄ "•17 ¹ / ₂ " Saddle Height	
c	60680-009L	18 ¹ / ₄ "•18 ¹ / ₂ " Saddle Height	
d	60680-010L	20 ¹ / ₄ "•20 ¹ / ₂ "•21 ¹ / ₂ "•22 ¹ / ₂ " Saddle Height	
35		*5 ⁵ / ₈ "-11 UNC x 4 ¹ / ₂ " Hex Bolt (if equipped) 4	4
36		*5 ⁵ / ₈ " Hardened Washer (if equipped) 8	8
37		*5 ⁵ / ₈ "-11 UNC Locknut (if equipped) 4	4
38		Upper Shock Bracket 4	4
a	60304-000	For vehicles originally equipped with	
b	94351-001	Volvo Only	
39		One-piece Longitudinal Torque Rod Assembly, Straddle/Straddle, Specify Length in mm 2	2
	620XX-XXX	ULTRA ROD®, Includes Key No. 41	
	82XX-XXXX-XXX	****TRAAX ROD® (Optional)	
40		***One-piece Transverse Torque Rod Assembly, Straddle/Taper 2	2
	62350-XXX	40K Only, ULTRA ROD, Includes Key Nos. 41-42	
	82XX-XXXX-XXX	****46K • 52K - TRAAX ROD, Specify Length in mm	
41	47691-000L	Straddle Bushing 6	6
42	64697-000L	Taper Bushing 2	2
43	22186-000	Torque Rod Frame Bracket 4	4
44	45045-010	Backup Plate, <i>Replaces 45045-003</i> 4	4
45	49689-000L	Torque Rod Shim As Req.	
46	70867-001	P-80 Lubricant - 10 ml (Not Shown) per Bushing 1	1
	34013-413	Aftermarket Shield Plate Service Kit , for High Articulation Applications, <i>see Page 6</i>	
47	75977-002	Shield Plate 4	4



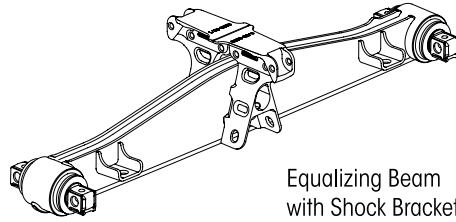
■ Frame Hanger Selection Guide

Key No. 20		Saddle to Frame Hanger Fastener Service Kit 34013-362 is used for all configurations below.														
Capacity	Frame Width	Ride Height	*Saddle Height	Axle Drop	Frame Hanger Part Number	Capacity	Frame Width	Ride Height	*Saddle Height	Axle Drop	Frame Hanger Part Number					
AUTOCAR						KENWORTH • PETERBILT										
40K•46K	34.37"	8.5"	15.5"	7"	91754-220	40K - 46K	34"	8.5"	15.5"	7"	91738-020					
		9.5"	16.5"		91754-240			9.5"	16.5"		91738-040					
		10.5"	17.5"		91754-260			10.5"	17.5"		91738-060					
		11.5"	18.5"		91754-280			11.5"	18.5"		91738-080					
52K	34.37"	9.5"	16.5"	7.75"	93832-040		13.25"	20.25"	91740-115							
		8.5"	16.25"		93833-020		15.5"	22.5"	91740-160							
		9.5"	17.25"		93833-040		8.5"	15.5"	91740-220							
INTERNATIONAL TRUCK							MACK									
40K•46K	34.25"	9.5"	16.5"	7"	91742-040		52K	34.75"	9.5"		16.5"	7"	93788-101			
		13.25"	20.25"		91744-120				10.5"		17.5"		91740-240			
	34.50"	9.5"	16.5"		91742-240				34"		9.5"		16.5"	91740-040		
		13.25"	20.25"		91744-320						10.5"		17.5"	91740-060		
34.80"	9.5"	16.5"	91744-520	34.75"	11.5"	18.5"		91740-080								
46K	34.80"	9.5"	16.5"		91742-440	9.5"		16.5"		91740-240						
		18.6"	25.6"		94462-020	10.5"		17.5"	91740-260							
52K	34.25"	10.5"	17.5"		7"	91744-060		11.5"	18.5"	91740-280						
	34.50"			91744-260		VOLVO										
	34.80"			91744-460		40K		33.40"	7.875"	14.875"	7"		93788-101			
FREIGHTLINER						WESTERN STAR										
40K	34.31"	9.5"	16.5"	7"	91816-205	Capacity		Frame Width	*Saddle Height	Axle Drop			Frame Hanger Part Number			
		10.5"	17.5"		Meritor		Mack									
		13.5"	20.5"							91816-206						
	34.56"	8.5"	15.5"		91816-304		46K			33.5"	15.5"	7"		7.5"	91746-020	
		9.5"	16.5"		91816-305										16.5"	91746-040
		10.5"	17.5"		91816-306										21.5"	93972-020
		13.5"	20.5"		93889-309										17.5"	93892-060
46K	34.31"	9.5"	16.5"	7"	93887-205	Capacity	***Frame Width	**GWH	*Saddle Height	Axle Drop	Frame Hanger Part Number					
		10.5"	17.5"		93887-206							40K	853 mm	460 mm	16.3"	91750-001
		11.5"	18.5"		93887-208									490 mm	17.5"	91750-002
	34.56"	9.5"	16.5"		93887-305									862 mm	460 mm	16.3"
		10.5"	17.5"		93887-306							490 mm	17.5"		91750-102	
		11.5"	18.5"		93887-308							46K	853 mm		460 mm	16.3"
52K	34.31"	10.5"	17.5"	7"	490 mm	17.5"	93888-002									
					7"	91818-206	460 mm	16.3"	93888-101							
					7.75"	91818-207	490 mm	17.5"	93888-102							
HINO																
40K•46K	34.09"	9.6"	16.6"	7"	91758-040	Capacity	Frame Width	*Saddle Height	Axle Drop	Frame Hanger Part Number						
	34.25"	9.4"	16.4"								52K	853 mm	490 mm	17.5"	7"	91752-002
	34.59"	9.3"	16.3"											18.2"	7.75"	91752-003
		9.2"	16.2"											17.5"	7"	91752-102
					91758-240	862 mm	18.2"	7.75"	91752-103							

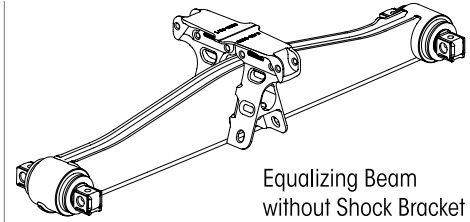


■ Aftermarket Equalizing Beam Assemblies with Rotatable Bar Pin End Bushings

Single Equalizing Beam Saddle Service Kit 34013-417



Equalizing Beam with Shock Bracket



Equalizing Beam without Shock Bracket

Key No. 1			
Capacity	Beam Length	Part Number with Rotatable Bar Pins	Part Number with Rotatable Bar Pins
40K • 46K	52"	91373-520R	91373-521R
	54"	91373-540R	91373-541R
	60"	91373-600R	91373-601R
46K	72.5"	91373-725R	91373-726R
52K	52"	91383-520R	91383-521R
	54"	91383-540R	91383-541R
	60"	91383-600R	91383-601R

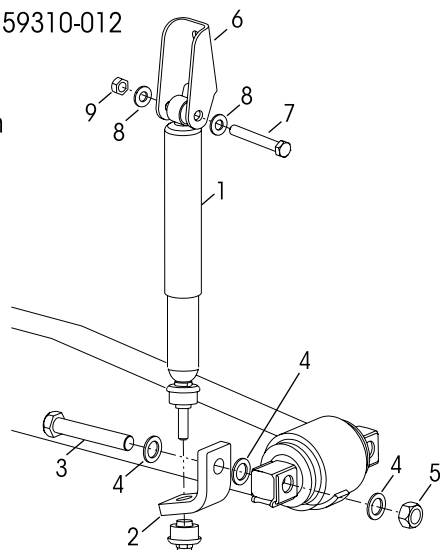
■ Aftermarket Service Kits

Aftermarket Shock Absorber Service Kits

Service Kit Nos.	Saddle Height	Tandem Set
64178-003	16½"	For equalizing beams not equipped with lower shock mount
64178-004	17½"•18¼"•18½"	
64178-033	20¼"•20½"	
64178-009	16½" Mack	

Reference Lit. No. 59310-012

NOTE:
Not available with 315 mm tires



KEY NO.	PART NO.	DESCRIPTION	KIT QTY.
Shock Absorber Service Kit, Tandem Set <i>For Saddle Height see Figure 1 on Page 6</i>			
	64178-003	16½" Saddle Height, Includes Key Nos. 1a, 2a, 2b, 3-9	
	64178-004	17½"•18¼"•18½" Saddle Height, Includes Key Nos. 1b, 2a, 2b, 3-9	
	64178-009	16½" Saddle Height - Mack Only, Includes Key Nos. 1c, 2c, 3-9	
	64178-033	20¼"•20½" Saddle Height, Includes Key Nos. 1d, 2a, 2b, 3-9	
1		Shock Absorber Assembly	4
a	60680-004L	16½" Saddle Height	
b	60680-005L	17½"•18¼"•18½" Saddle Height	
c	60680-006L	16½" Saddle Height, Mack Only	
d	60680-010L	20¼"•20½" Saddle Height	
2		Lower Shock Bracket	
a	64148-001	Front	2
b	64148-002	Rear (Not Shown)	2
c	64835-000	Mack Only, Front and Rear (Not Shown)	4
3		*1"-8 UNC x 7" Hex Bolt,	4
4		*1" Hardened Washer	12
5		*1"-8 UNC Locknut	4
6	64146-000	Upper Shock Bracket	4
7		*5⁄8"-11 UNC x 4½" Hex Bolt	4
8		*5⁄8" Hardened Washer	8
9		*5⁄8"-11 UNC Locknut	4

NOTES ♦ To determine the saddle height dimension, see Figure 1 on Page 6.

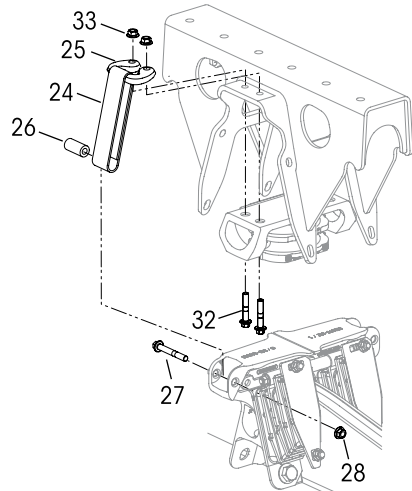
♦♦ GWH (Global Wheel Height) is used only by Western Star.

♦♦♦ The Western Star frame width is dependent on the frame thickness (8 mm through 15 mm).



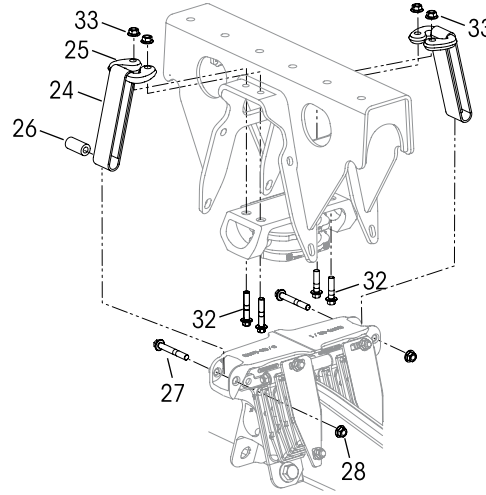
■ Single and Dual Rebound Straps

Service Kit No. 34013-354 | One Side, 40K•46K
Single Rebound Strap for vehicles originally equipped with one rebound strap



Key Nos.	24-28	32	33
Quantity Per Vehicle	2	4	4
Quantity Per Kit	1	2	2

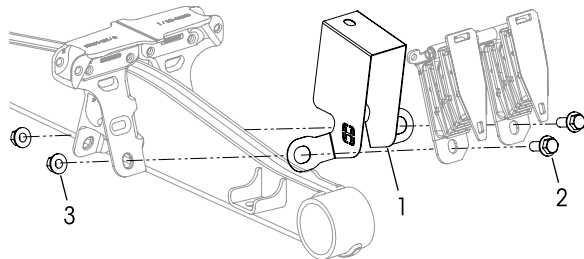
Service Kit No. 34013-355 | One Side, 52K
Dual Rebound Straps for vehicles originally equipped with dual rebound straps



Key Nos.	24-28	32	33
Quantity Per Vehicle	4	8	8
Quantity Per Kit	2	4	4

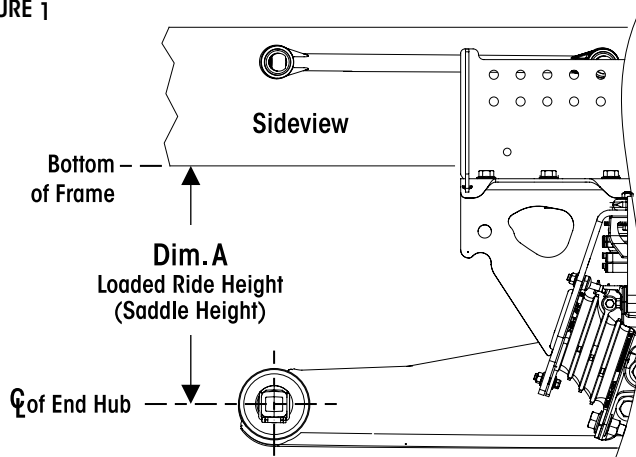
Aftermarket Shield Plate Service Kit

Service Kit No. 34013-413 | Aftermarket Shield Plate for High Articulation Applications



KEY NO.	PART NO.	DESCRIPTION	KIT QTY.
	34013-413	Aftermarket Shield Plate Service Kit, Tandem Set for High Articulation Applications, Includes Key Nos. 1-3	
1		*Shield Plate	4
2		*M20 x 1.5-6G x 50 mm Flange Bolt	8
3		*M20 x 1.5 Flange Nut	8

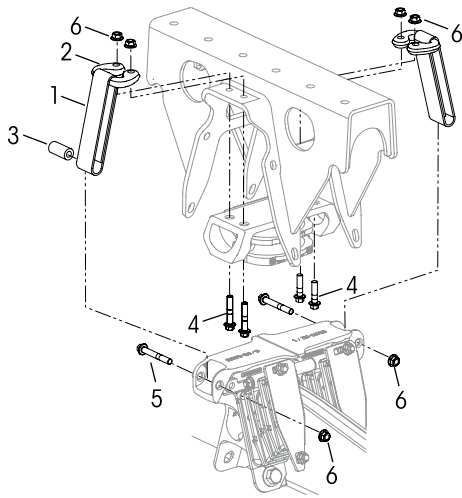
FIGURE 1





Aftermarket Dual Rebound Strap Enhancement Kit

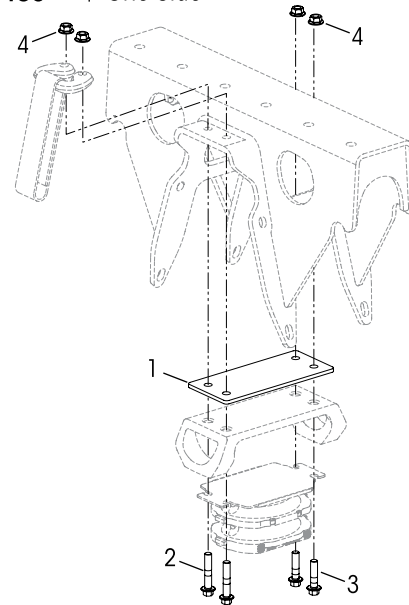
Service Kit No. 34013-363 | Aftermarket Dual Rebound Strap Conversion Vehicle Set



KEY NO.	PART NO.	DESCRIPTION	KIT QTY.
	34013-363	Aftermarket Dual Rebound Strap Enhancement Kit, Tandem Set, Includes Key Nos. 1-6	
1		*Rebound Strap	4
2		*Rebound Bracket	4
3		*Rebound Spacer	4
4		*M12 x 1.75-6G x 65 mm Flange Bolt	8
5		*M12 x 1.75-6G x 90 mm Flange Bolt	4
6		*M12 x 1.75 Flange Nut	12

Weight Bias Shim Service Kit

Service Kit No. 34013-430 | Weight Bias Shim Service Kit One Side



KEY NO.	PART NO.	DESCRIPTION	KIT QTY.
	34013-430	Weight Bias Shim Service Kit, One Side, Suitable for Single or Dual Rebound Strap, Includes Key Nos. 1-4	
1		*1/4" Load Bias Shim	2
2		*M12 x 1.75-6G x 80 mm Flange Bolt	4
3		*M12 x 1.75-6G x 65 mm Flange Bolt <i>for inner single strap use only</i>	2
4		*M12 x 1.75 Flange Nut	4

Contains various sized fasteners to accommodate different suspension configurations. One or two shims can be installed dependant on the vehicle weight bias. Refer to the table below for fastener selection.

	1/4" Shim Qty.	M12 Bolt Size	1/4" Shim Qty.	M12 Bolt Size
No Rebound Strap		50 mm		65mm
Rebound Strap Installed	1	80 mm	2	80 mm

NOTES: * Item included in assembly or service kit only, part not sold separately.

** The HAULMAAX EX 52K capacity suspensions are equipped with dual rebound straps per equalizing beam, while the 40K•46K capacity suspensions have a single outboard rebound strap.

*** Transverse torque rods are mandatory for all HAULMAAX EX suspensions regardless of axle spacing, see Hendrickson Literature Nos. 59310-004 and 59310-058 for more information.

**** TRAAX ROD bushings are non-serviceable, the entire torque rod assembly requires replacement, visit www.traaxrods.com for more information.

***** Verify the shock absorber part number prior to replacement.

Hendrickson Lit. No. 48422-624 – HAULMAAX EX Gauge Card can be obtained on-line at www.hendrickson-intl.com/Litform.

■ Special Tools

Bar Pin End Bushing Tools

INSTALLATION TOOLS

Hendrickson Part No. 66086-103

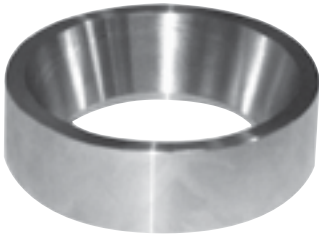
OTC Part No. 1757 Visit otctools.com



Special tooling is required to service the bar pin end bushings. Hendrickson part number 66086-103 tool is used with the equalizing beam removed from the truck, and in conjunction with OTC No. 51100 press plate and a 100-ton hydraulic shop press.

ULTRA ROD Torque rod Funnel tool

Hendrickson Part No. 66086-001L



REMOVAL TOOLS

Hendrickson Part No. 66086-104

OTC Part No. 206457 Visit otctools.com



Hendrickson Part No. 66086-105

OTC Part No. 302030 Visit otctools.com



This is a general parts list to provide directional information. Components may vary by model. Questions in regards to parts, contact Hendrickson Truck Parts at 1.866.755.5968 (Toll-free U.S. and Canada), 630.910.2800 (Outside U.S. and Canada) or email: truckparts@hendrickson-intl.com.

Actual product performance may vary depending upon vehicle configuration, operation, service and other factors.

All applications must comply with applicable Hendrickson specifications and must be approved by the respective vehicle manufacturer with the vehicle in its original, as-built configuration. Contact Hendrickson for additional details regarding specifications, applications, capacities, and operation, service and maintenance instructions.

Call Hendrickson at 1.866.755.5968 (toll-free) or 1.630.910.2800 for additional information.



www.hendrickson-intl.com

SP-328 Rev H 02-23

© 2020 – 2023 Hendrickson USA, L.L.C. All Rights Reserved. All trademarks shown are owned by Hendrickson USA, L.L.C., or one of the affiliates, in one or more countries.

Information contained in this literature was accurate at the time of publication. Product changes may have been made after the copyright date that are not reflected.

TRUCK COMMERCIAL VEHICLE SYSTEMS
800 South Frontage Road
Woodridge, IL 60517-4904 USA
1.866.755.5968 (Toll-free U.S. and Canada)
1.630.910.2800 (Outside U.S. and Canada)
Fax 1.630.910.2899

Printed in United States of America