

Asia Pacific Region Only

H **PARTS LIST**
COMPOSITITE™ EXS13 STEERABLE
LIFT AXLE

LIT NO: 97114-138

DATE: November 2024

REVISION: B





INTRODUCTION

Hendrickson COMPOSILITE™ EXS is the innovative, next generation of steerable lift-axle suspension systems engineered with a number of technological advancements. Inset lower beams optimise lateral stiffness and eliminate the need for V-rods. Zero-torsion rubber bushes provide increased service life. The patented STEERTEK™ axle technology increases structural durability and incorporates bolt-on axle seats for easier serviceability and re-configuration.

This parts list is designed for EXS13 suspensions supplied by Hendrickson Asia Pacific.

NOTE: All quantities listed within this parts list are as applicable for a single axle.

TABLE OF CONTENTS

INTRODUCTION	2
ABBREVIATIONS	2
FRAME HANGER & PIVOT	3
DRUM BRAKES	4
WHEEL END – DRUM BRAKE	6
SHOCK ABSORBERS	7
SPINDLE, KINGPIN & TIE ROD	8
LOCK STRAIGHT	10
AIR SPRINGS & SEATS	12
AIR CONTROLS	15
REVISIONS TABLE	16

ABBREVIATIONS

Abbreviations used in this document may include the following terms:

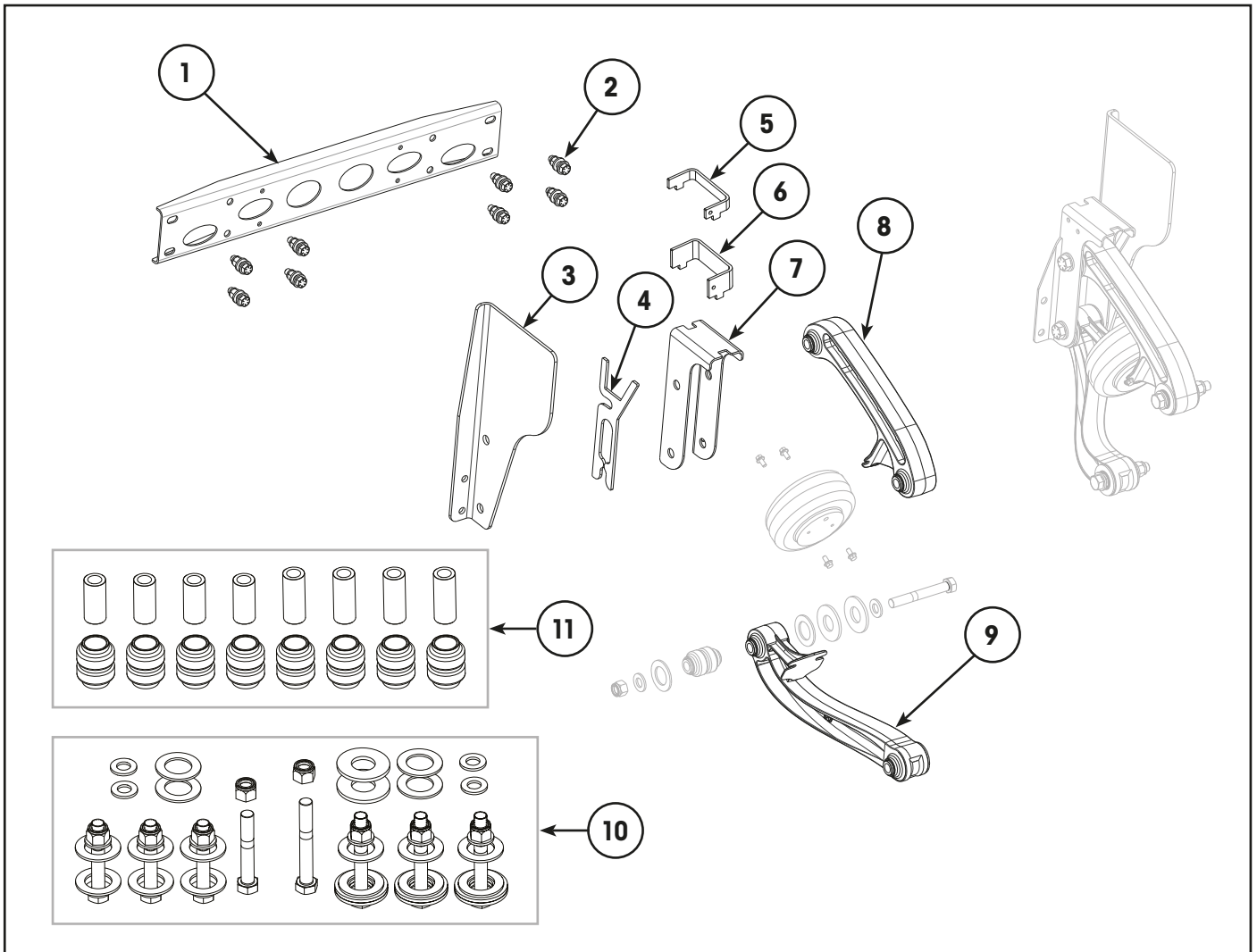
- AR – As Required
- NSS – Not Serviced Separately
- PCD – Pitch Circle Diameter

Document Interactivity

The interactive **Table of Contents** allows users to quickly navigate to the appropriate page with a single mouse click. The **INDEX** button at the bottom of each page returns you to the **Table of Contents**. Other links within the document are identified by black underlined text, whereas links to external websites are identified by blue underlined text.



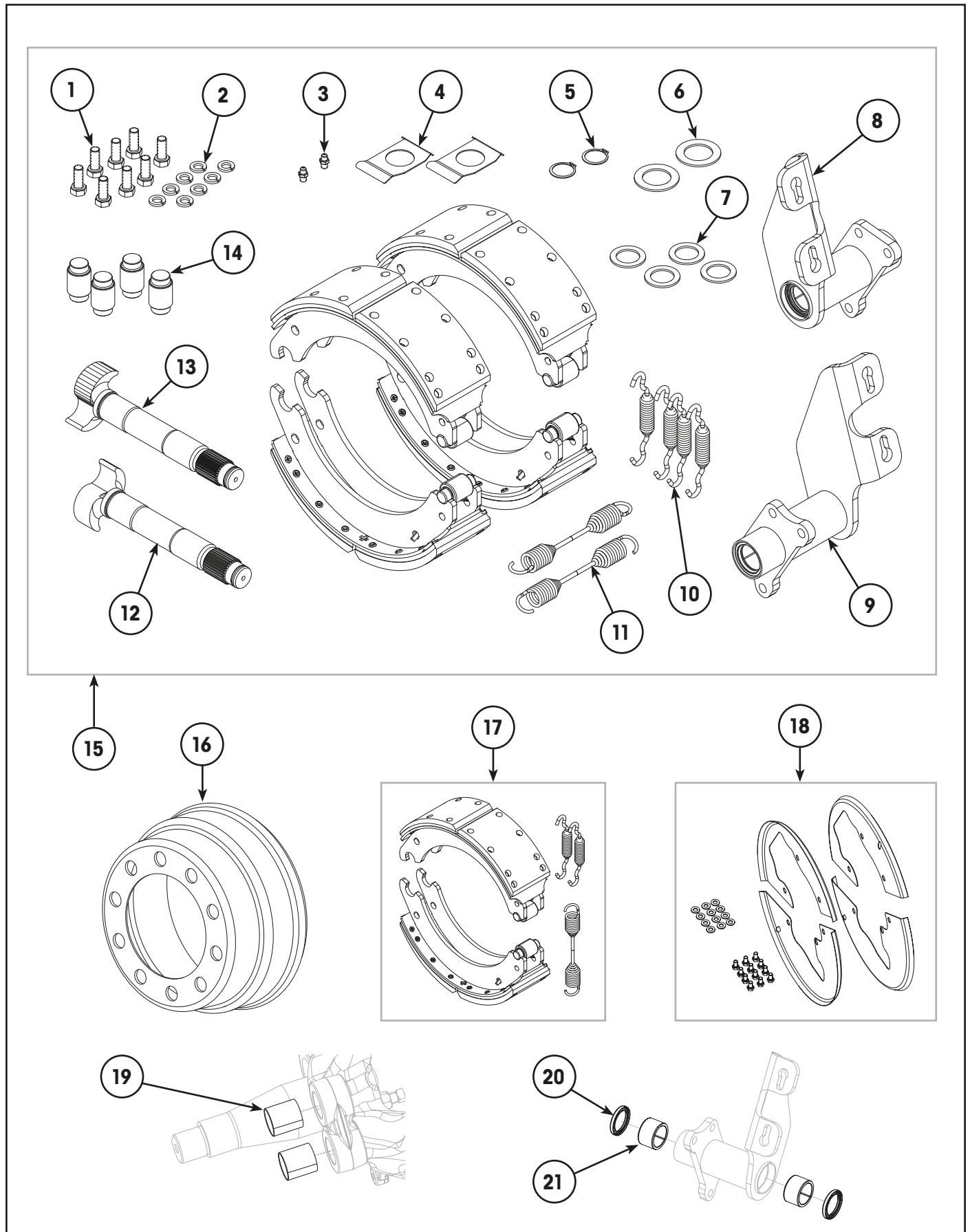
FRAME HANGER & PIVOT



Item	Part Number	Description	Qty	Notes
1	017374-2335	Crossmember, EXS13 Adjustable	1	33.5" to 34.5".
2	019702-0100	Kit, Crossmember Hardware	1	
3	017377-01	Side Rail – Left Hand	1	
	017377-02	Side Rail – Right Hand	1	
4	008299	K Spacer – 1/4"	AR	Optional.
5	007417-1B	Saddle Spacer, 1 Inch	2	Optional.
6	007417-2B	Saddle Spacer, 2 Inch	2	Optional.
7	017376-01	Saddle, EXS13 – Left Hand	1	
	017376-02	Saddle, EXS13 – Right Hand	1	
8	017415-00	Beam, Upper	2	Includes bushes and 3" & 3.5" tubes.
9	018881-01	Beam, Lower – Left Hand	1	Includes bushes and 3" & 3.5" tubes.
	018881-02	Beam, Lower – Right Hand	1	
10	018122-0400	Kit, Pivot Hardware	1	Includes bolts, nuts, washers, wear pads and spacers.
11	019193-0100	Kit, Pivot Bush & Spacer	1	Includes bushes, 3" & 3.5" tubes and lubricant.



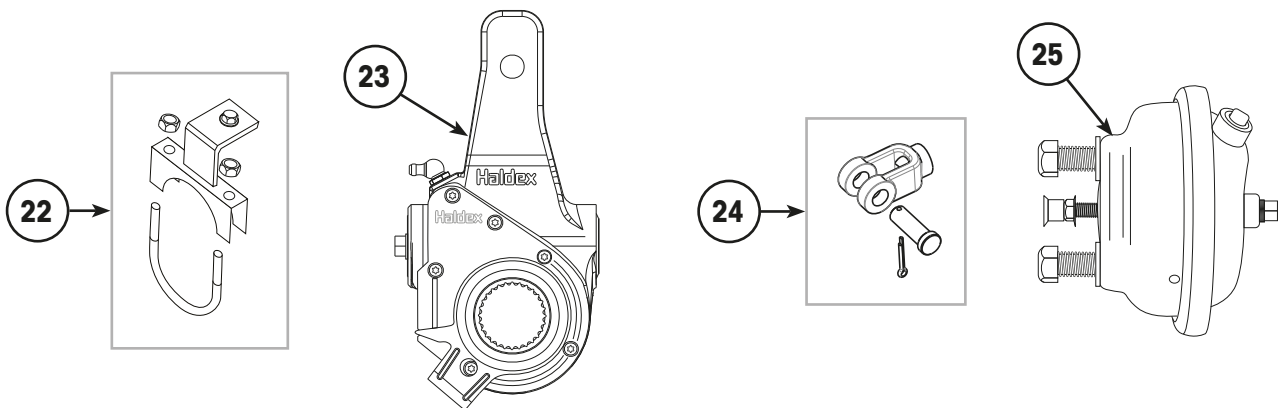
DRUM BRAKES





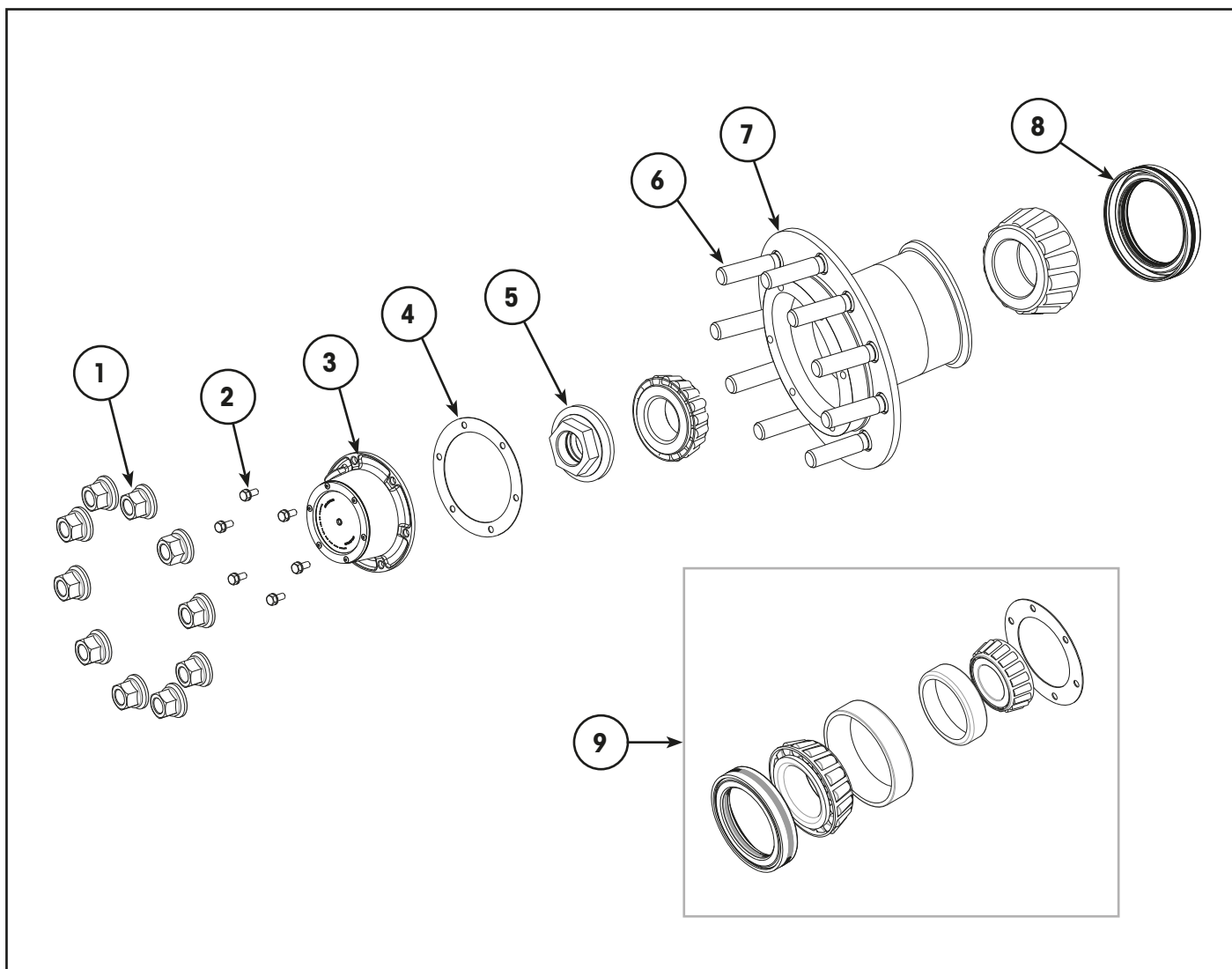
DRUM BRAKES

Item	Part Number	Description	Qty	Notes
1	6108C125H4H5	Bolt, 1/2"-13 x 1.25"	8	Included in complete kit, item 15.
2	6208H2LR	Washer, 1/2" Lock	8	Included in complete kit, item 15.
3	NSS	Grease Fitting, Zerk – 1/8"-27 NPT	2	Use complete kit, item 15.
4	018801-00	Washer, S-Cam	2	Included in complete kit, item 15.
5	NSS	Circlip, 1.176"	2	Use complete kit, item 15.
6	NSS	Thrust Washer, S- Cam	2	Use complete kit, item 15.
7	NSS	Washer, 2.7 mm	4	Use complete kit, item 15.
8	017796-12	S-Cam Tube Weldment – RH	1	Included in complete kit, item 15.
9	017796-11	S-Cam Tube Weldment – LH	1	Included in complete kit, item 15.
10	B-20693	Shoe Retaining Spring	4	Included in kit, items 15 & 17.
11	007092	Shoe Return Spring	2	Included in kit, items 15 & 17.
12	007089-1	S-Cam Left Hand	1	Included in complete kit, item 15.
13	007089-2	S-Cam Right Hand	1	Included in complete kit, item 15.
14	A-20689	Anchor Pin	4	Included in complete kit, item 15.
15	017449-1400	Kit, Complete Brake Overhaul	1	
16	015686-00	Brake Drum, 15" x 4" – 10 Stud 285 PCD	2	Cast brake drum.
	MW90089BK	Brake Drum, 15" x 4" – 10 Stud 285 PCD	2	Lightweight CentriFuse® brake drum.
17	007442-B	Kit, Brake Shoe	2	Includes retaining & return springs.
18	018986-0100	Dust Shield Kit	1	Includes both dust shields & hardware.
19	S-20695	Bush, Anchor Pin	4	
20	005217	S-Cam Seal	4	
21	005216	S-Cam Bush	4	
22	A-14582	Bracket, Brake Adjuster Anchor	2	
23	001760	Brake Adjuster, 5.5 Inch	2	
24	A-21420	Clevis, Brake Chamber	2	
25	A-14888	Brake Chamber, Type 20, 1.4"	2	





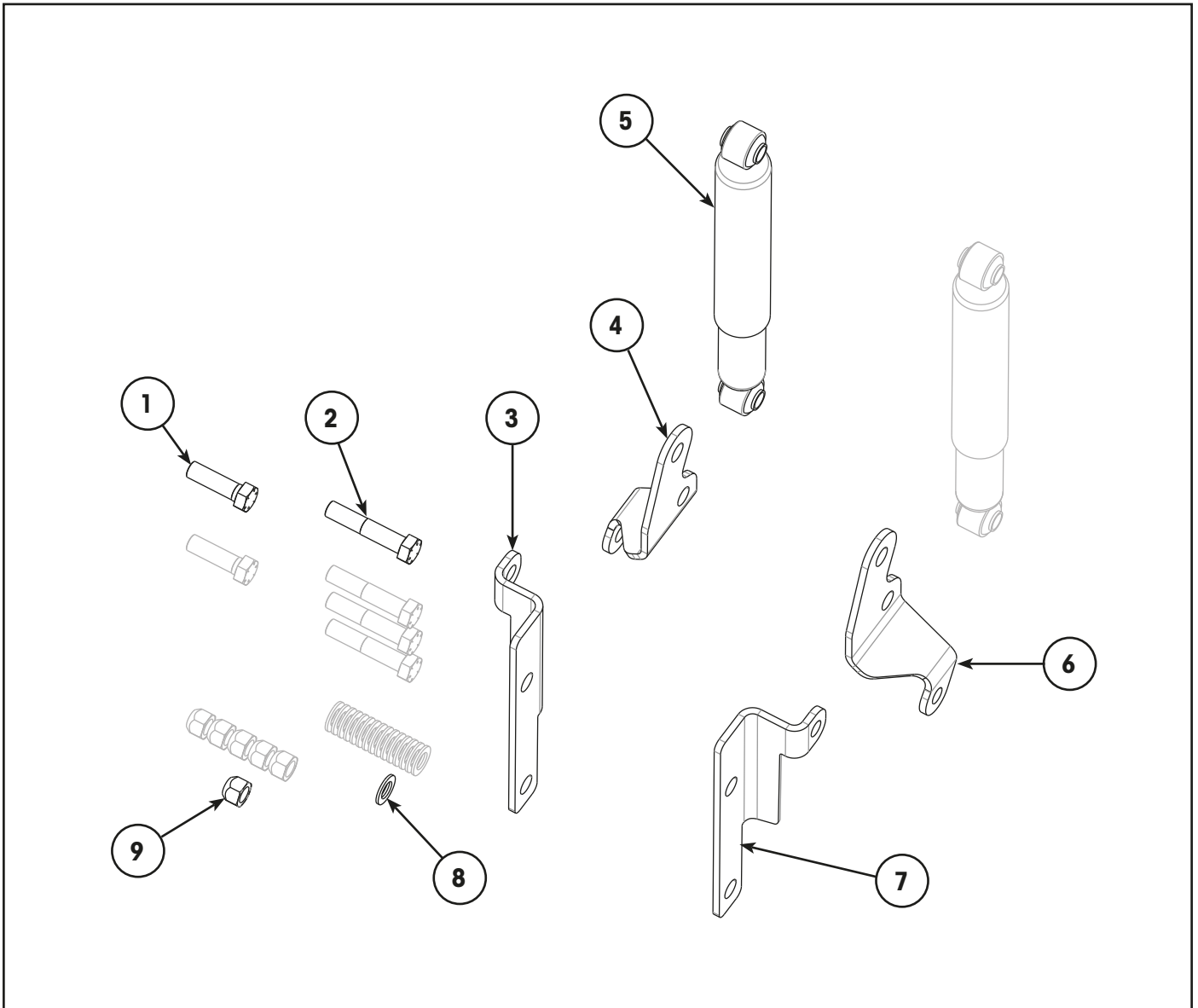
WHEEL END – DRUM BRAKE



Item	Part Number	Description	Qty	Notes
1	A-24695	Nut, Wheel	20	
2	018000-0100	Bolt, Hub Cap	12	
3	015293-02	Hub Cap	2	
4	015297-01	Gasket, Hub Cap	2	Included in bearing service kit, item 9.
5	003269	Kit, Spindle Nut	2	
6	98900-020	Wheel Stud, M22 x 1.5 – 3.94" Stud Length	20	
7	015701-00	Hub Assembly, 285 PCD 10 Stud	2	Includes studs but does not include bearing cups.
8	015390-02	Seal, Hub Spindle	2	Included in bearing service kit, item 9.
9	98800-034	Kit, Bearing Service	2	Includes cups, cones, seal & gasket, items 4 & 8, to service one wheel end.



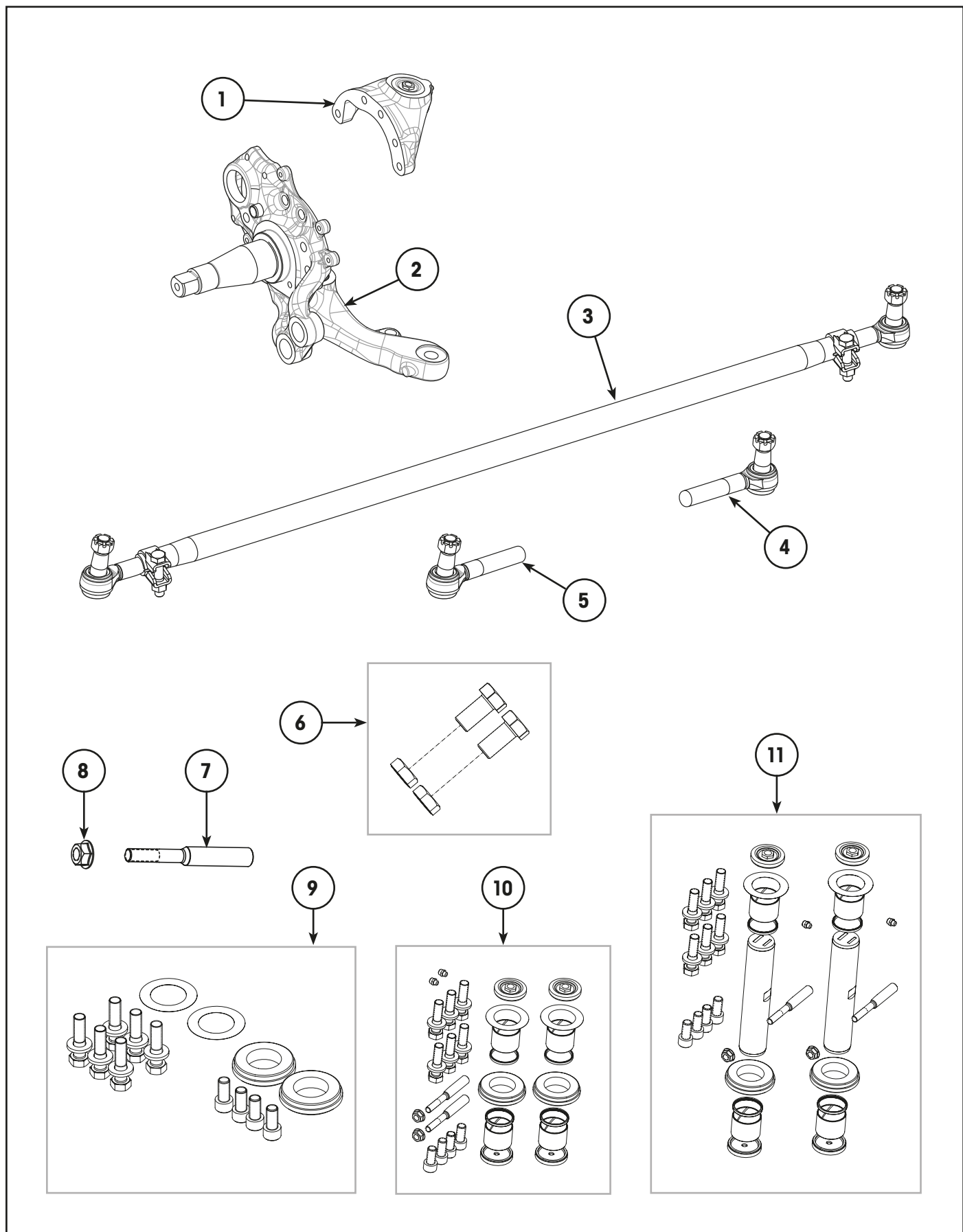
SHOCK ABSORBERS



Item	Part Number	Description	Qty	Notes
1	50764-007	Bolt 3/4" UNC x 2.5"	2	
2	50764-004	Bolt 3/4" UNC x 3 3/4" Long	4	
3	98482-056	Bracket, Upper Shock, Right Hand	1	
4	98482-058	Bracket, Lower Shock, Right Hand	1	
5	60670-010-L	Shock Absorber	2	
6	98482-057	Bracket, Lower Shock, Left Hand	1	
7	98482-055	Bracket, Upper Shock, Left Hand	1	
8	22962-001	Hardened Washer – 3/4"	20	
9	49842-000	Nut - 3/4" UNC Lock	6	



SPINDLE, KINGPIN & TIE ROD

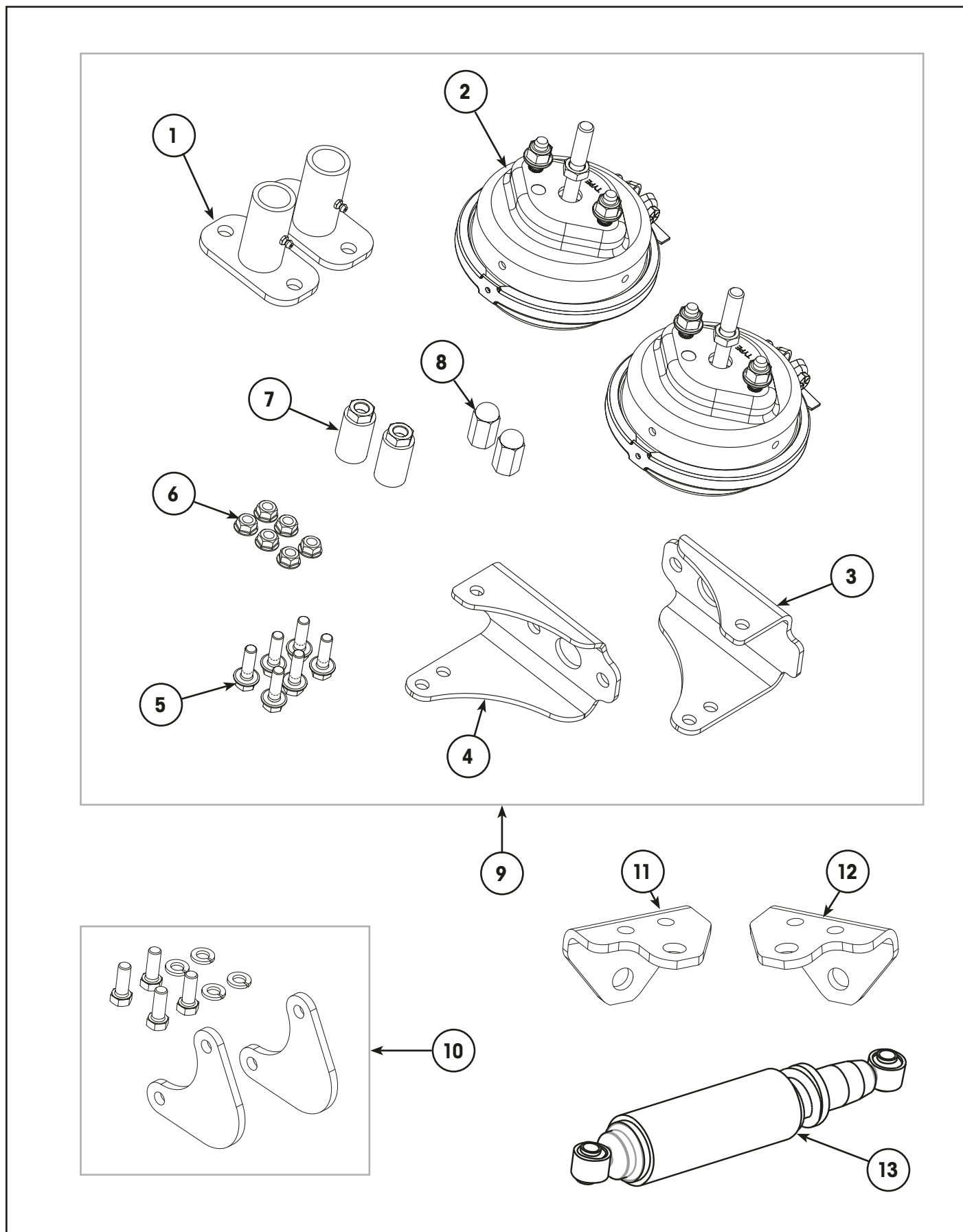


**SPINDLE, KINGPIN & TIE ROD**

Item	Part Number	Description	Qty	Notes
1	060904-501	Kingpin – Brake Upper Cast LH	1	Includes upper kingpin bush & grease cap.
	060904-502	Kingpin – Brake Upper Cast RH	1	
2	017420-11	Backbone – Drum Brake Spindle Cast LH	1	Includes turn angle stop bolt, brake anchor pin bushes, lower kingpin bush & grease cap.
	017420-12	Backbone – Drum Brake Spindle Cast RH	1	
3	76877-004	Tie Rod Assembly – 1515mm Tube	1	Includes tie rod ends, items 4 & 5.
4	R-002914-2	Tie Rod End – Right Hand	1	Included in tie rod, item 3.
5	R-002914-1	Tie Rod End – Left Hand	1	Included in tie rod, item 3.
6	018993-0100	Stop Bolt Kit, 1/2"-13 UNC Nuts & Bolts	1	
7	008670	Draw Key	2	Included in items 10 & 11.
8	6007FH4FC	Nut, Draw Key	2	Included in items 10 & 11.
9	018186-0100	Kit, Knuckle Hardware & Thrust Washer	1	Includes hardware, top & bottom thrust washers.
10	R-019015-10	Kit, Kingpin Bushes	1	
11	R-019015-01	Kit, Kingpin Replacement	1	

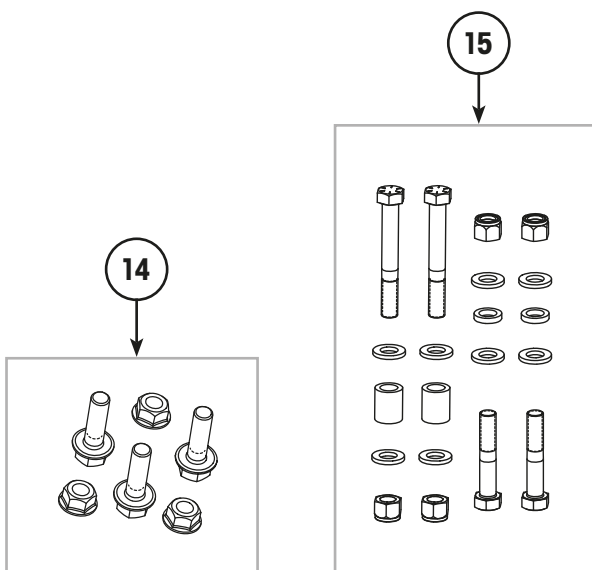


LOCK STRAIGHT



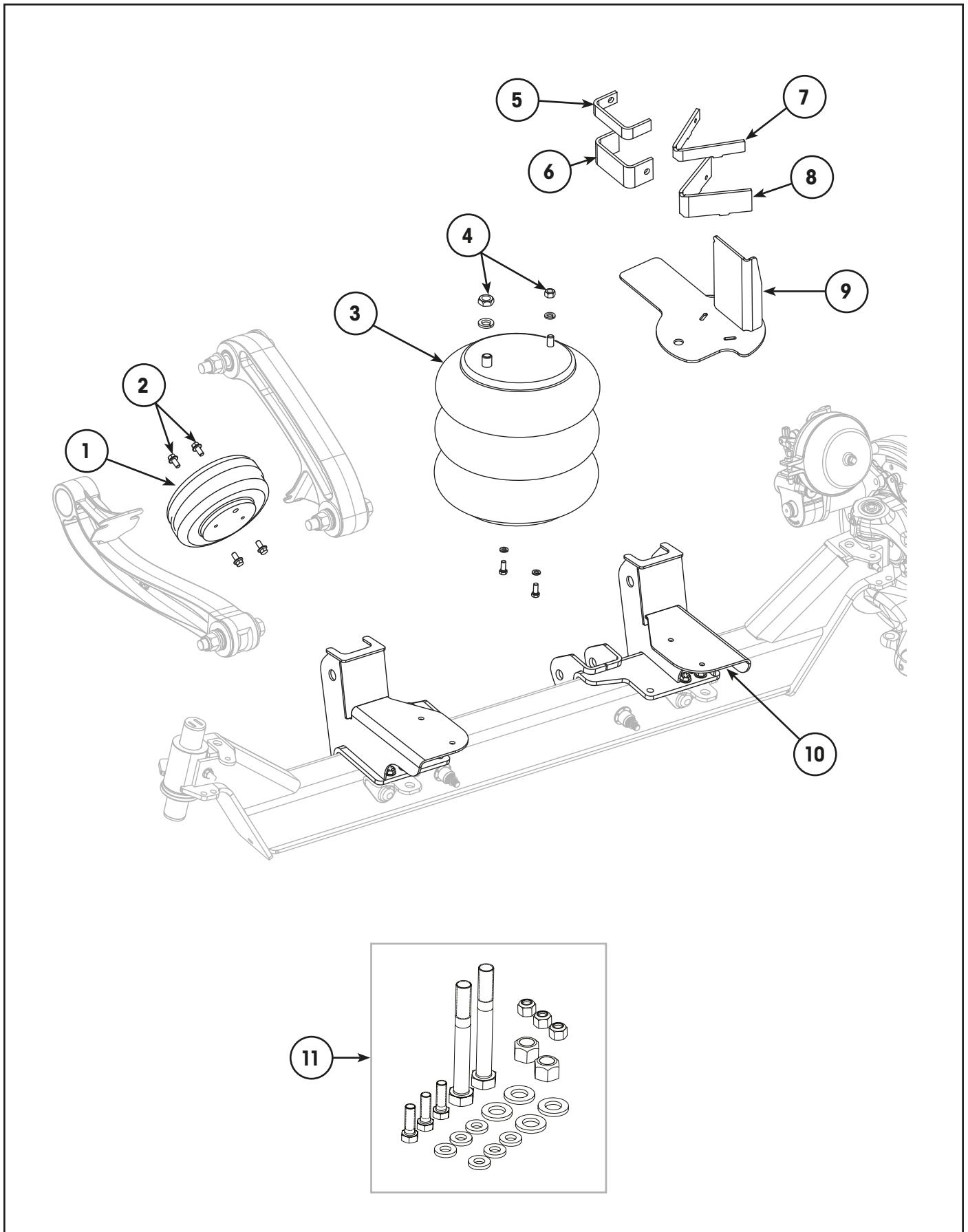
LOCK STRAIGHT

Item	Part Number	Description	Qty	Notes
1	002310-2	Lock Straight Tube Assembly	2	
2	002508-6	Type 16 Brake Chamber 2.5" Stroke	2	75 mm Pushrod.
3	017856-02	EXS Bolt-on Outer Stabiliser Bracket – RH	1	
4	017856-01	EXS Bolt-on Outer Stabiliser Bracket – LH	1	
5	NSS	Bolt, 3/8-16 X 1.250 Flange Grade 5	6	Use hardware kit, item 14. Included in item 9.
6	NSS	Nut, 3/8-16 UNF Flange	6	
7	002567-2	Lock Straight Inner Tube Assembly	2	
8	002303	Lock Straight Plunger	2	
9	018146-0100	Lock Straight Kit EXS13	1	Includes all items 1 to 8.
10	018146-0200	Side Kit, Lock Straight Drum Cast Knuckle	1	EXS13 Drum Brake.
11	017378-0201	Stabiliser Bracket Inner Mount – Left Hand	1	For hardware, refer to <u>"Air Springs & Seats"</u> on page 12.
12	017378-0202	Stabiliser Bracket Inner Mount – Right Hand	1	
13	A-14496	Stabiliser, Steering	2	Use with hardware kit, item 15.
14	98111-272	Lock Straight Hardware Kit	2	Suitable for one side.
15	019703-0300	Stabiliser Mounting Kit – 7" Drop	1	Standard.
	019703-0100	Stabiliser Mounting Kit – 5" Drop	1	Suits DAF EXS13.398.



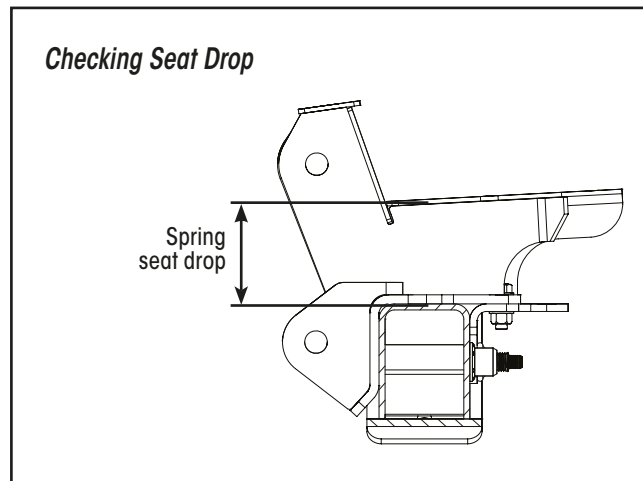


AIR SPRINGS & SEATS



AIR SPRINGS & SEATS

Item	Part Number	Description	Qty	Notes
1	005079	Air Spring, Lift	2	
2	19701-0100	Kit, Lift Spring Bolt	1	Contains 8 x 3/8" bolts.
3	B-14487	Air Spring, Ride	2	
4	007596	Kit, Ride Spring Bolt	1	Contains 4 x 3/8" bolts, 2 x 1/2" & 2 x 3/4" nuts.
5	018029-0101	Spacer, Air Spring Tail – 1"	2	
6	018029-0202	Spacer, Air Spring Tail – 2"	2	
7	007425-1	Spacer, Air Spring Ride Height – 1"	2	
8	007425-2	Spacer, Air Spring Ride Height – 2"	2	
9	018215-01	Air Spring Mount, Upper – Left Hand	1	
	018215-02	Air Spring Mount, Upper – Right Hand	1	
10	R-019192-0201	Kit, Spring Seat – LH 84mm Seat Drop	1	Includes mounting hardware. Refer inset below.
	R-019192-0202	Kit, Spring Seat – RH 84mm Seat Drop	1	Includes mounting hardware. Refer inset below.
	R-019192-0301	Kit, Spring Seat – LH 109mm Seat drop	1	Includes mounting hardware. Refer inset below.
	R-019192-0302	Kit, Spring Seat – RH 109mm Seat Drop	1	Includes mounting hardware. Refer inset below.
11	R-019201-0000	Seat & Stabiliser Bracket Hardware Kit	2	

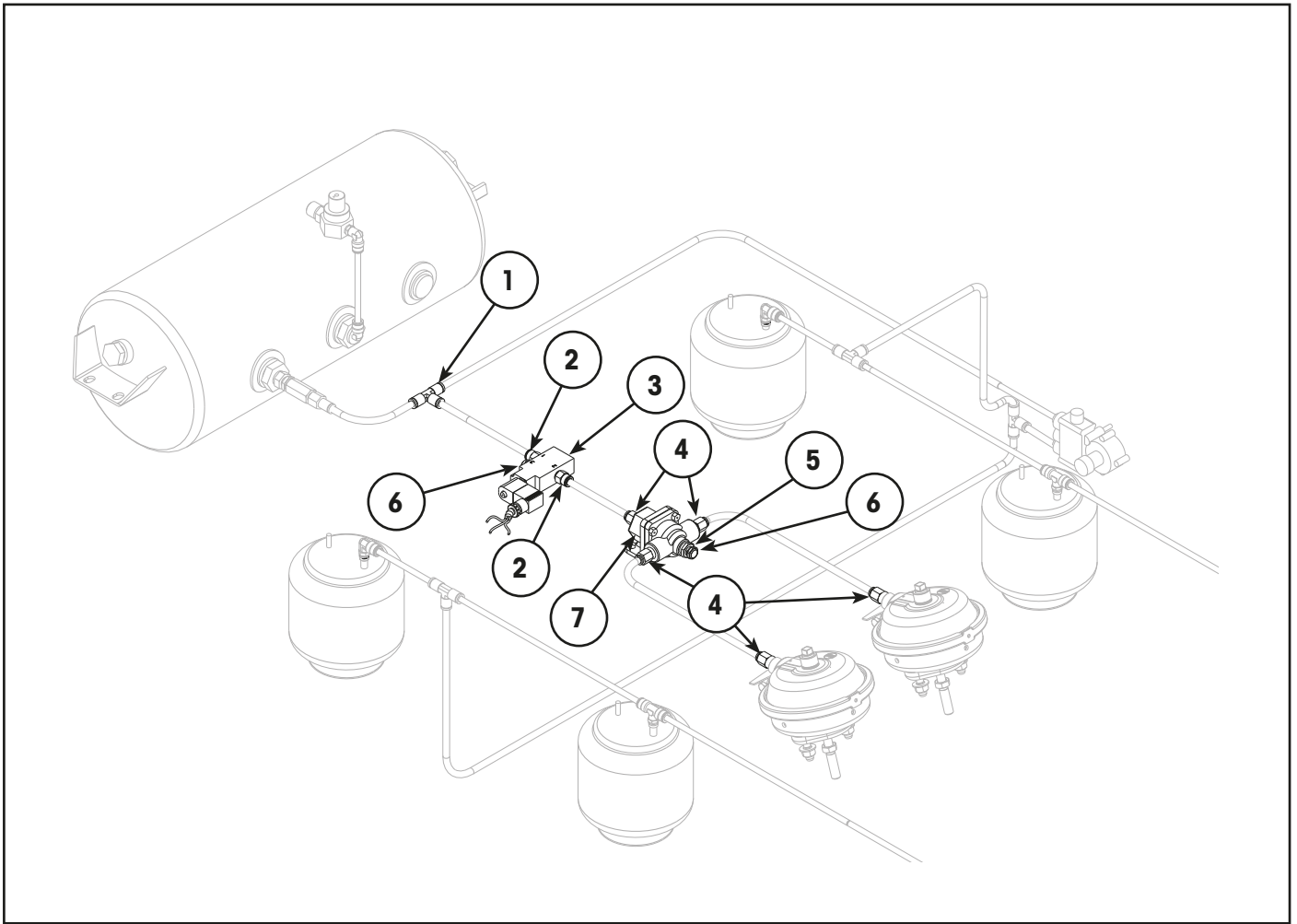




This page is intentionally left blank.



AIR CONTROLS



Item	Part Number	Description	Qty	Notes
1	98934-015	Tee Fitting - 3/8" OD X 3/8" OD X 3/8" OD	1	
2	98732-019	Male Connector 1/4" NPT to 3/8" OD Tube	2	
3	98732-055	Solenoid Valve 24-Volt DC	1	
4	98934-019	Male Connector 3/8" OD Tube X 3/8" NPT	5	
5	98934-020	Union Adaptor 3/8" x 1/4"	1	
6	98732-012	1/4" NPT Exhaust Silencer	2	
7	98732-024	Quick Release Valve	1	



REVISIONS TABLE

DATE	REV	PAGE	DESCRIPTION
Nov-2024	B	4, 5	Add brake drum. Correct brake chamber number. ECN 12248.
Nov-2024	B	5	Relabel NSS items.
Nov-2024	B	7	Correct shock bracket numbers and descriptions.
Nov-2024	B	11	Remove complete lock straight kit.

*Actual product performance may vary depending upon vehicle configuration, operation, service and other factors.
 All applications must comply with applicable Hendrickson specifications and must be approved by the respective vehicle manufacturer with the vehicle in its original, as-built configuration.
 Contact Hendrickson for additional details regarding specifications, applications, capacities, and operation, service and maintenance instructions.*

**Need Help? Australia Call +61 3 8792 3600 or Email customerservice@hendrickson.com.au
 New Zealand Call +64 9 570 4721 or Email nz-customerservice@hendrickson.co.nz**



www.hendrickson.com.au

HENDRICKSON ASIA PACIFIC
 ABN 21 004 992 769
 32- 44 Letcon Drive, P.O. Box 1063
 Dandenong, Victoria, 3175
 61.3.8792.3600 • Fax 61.3.8792.3699

HENDRICKSON NEW ZEALAND
 Unit P, 24 Allright Place
 Mt Wellington, Auckland, 1060
 64.9.570.4721 • Fax 64.9.570.4816